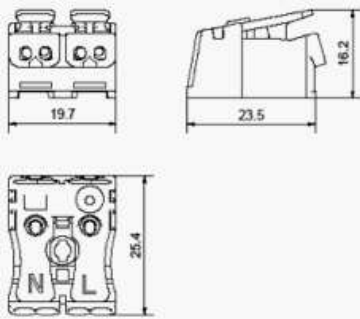




Luminaire Connectors and Block Connectors

LK 980/ 2 - 2 pole luminaire connectors



| Approvals Click for Approvals (PDF) | | | |
|--|-----|-----|----------------------|
| Nominal cross-section mm ² | 2,5 | 2,5 | 20-14 AWG 16 amp. |
| Voltage rating V | 450 | 450 | 600 |

Technical data

| | |
|-------------------------|---|
| Connection | external 2 x 0.5 - 2.5 mm ² solid, 2 x 0.75 - 2.5 mm ² stranded, 2 x 1.5 - 2.5 mm ² flexible, sealed release by release key internal 1 x 0.5 - 1.5 mm ² and 1 x 0.5 - 2.5 mm ² solid, 1 x 0.75 - 1.5 mm ² and 1 x 0.75 - 2.5 mm ² stranded capacitor 1 x 0.5 - 0.75 mm ² solid |
| Fixing | by screw or rivet size Ø 2.9 - 3.0 mm |
| Mouldings | polyamide 6/6, white flammability rating to UL 94: V-2 continuous working temperature 100 °C short-time temperature 160 °C glow wire test - EN 60598: 960°C |
| Contacts | copper, steel and spring steel, plated |
| Current rating | to EN 60598: 16 A at T 110 °C to EN 60998: 24 A at T 110 °C |
| Stripping length | 8 mm (0.5 - 1.0 mm ²), 9 mm (1.5 - 2.5 mm ²), 9 mm (capacitor) |

Upon request

different printing, different polyamides (in particular glow wire to EN 60335-1),
release tool; further product variants [here](#)

Variants

| | |
|---------------------|---|
| LK 980/ 3 | 3 pole luminaire connectors |
| LK 980/ 4 | 4 pole luminaire connectors |
| LK 980/ 5 | 5 pole luminaire connectors |
| LK 980 RZ/ 2 | 2 pole luminaire connectors with catch pins |
| LK 980 RZ/ 3 | 3 pole luminaire connectors, with catch pins |
| LK 980 RZ/ 4 | 4 pole luminaire connectors with catch pins |
| LK 980 RZ/ 5 | 5 pole luminaire connectors, with catch pins |
| 930-00 | 1 - 12 pole screwless terminal blocks without release key |
| 930-02 | 1 - 12 pole screwless terminal blocks with 2 release keys |

Order info

| Description | Item | Order No. | PU |
|------------------|----------------|-----------|--------|
| printed with N L | LK 980-01/ 2 B | 041012 | 600 >☞ |
| unprinted | LK 980-01/ 2 | 040012 | 600 >☞ |